



Signal Hound designs and builds powerful, affordable spectrum analyzers and signal generators for engineers, operators and RF professionals around the globe.

EXPERIENCE LIGHTNING-FAST SWITCH SPEEDS FOR MULTI-BAND AND DIRECTION FINDING APPLICATIONS - A DEPENDABLE SOLUTION.

The RFS8 is a single pole eight throw (SP8T) absorptive solid-state switch using silicon-on-insulator (SOI) technology providing RF switching across eight ports at up to 8 GHz. Switch from the LF band all the way through 8 GHz and utilize this versatile tool in pseudo-doppler direction finding applications. With extremely fast switch speeds, 100 ns rise/fall times, and direct access from Spike™, the RFS8 enables multi-band sweeping and direction finding to the BB60D and SP145 spectrum analyzers.

APPLICATIONS

- Automated Testing
- Multi-Band Sweep
- Direction Finding
- Antenna Polarization
- Satellite Communications
- Industrial Automation and Test
- WIFI
- Cellular

FEATURES

- Frequency Range: 100 kHz to 8 GHz
- Switching from LF through 8 GHz
- Direct logic control
- 230 ns switch time
- Frequency or interval switching with supported hardware
- 100 ns rise/fall time



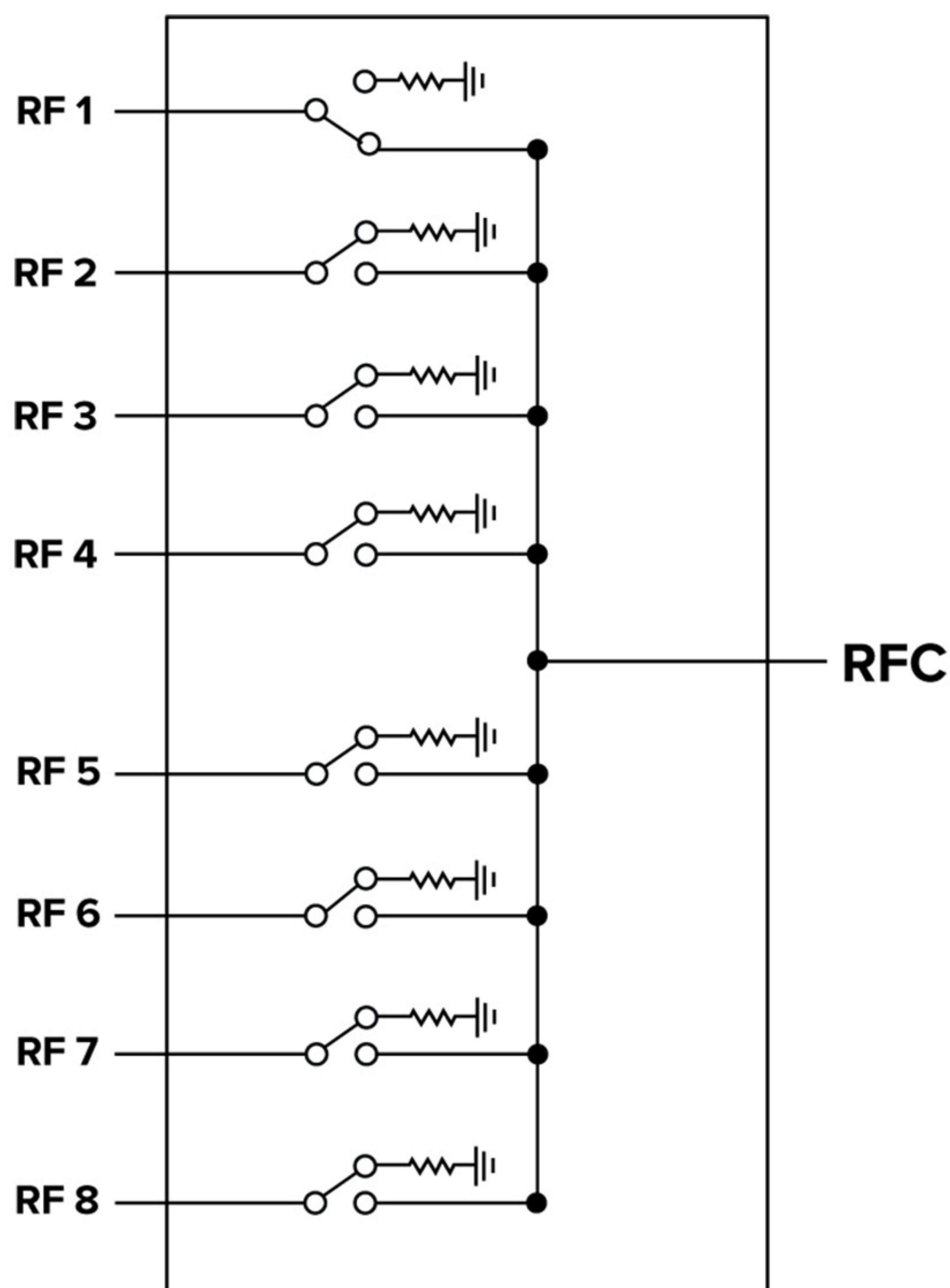
RFS8 8-Port Antenna Switch

May 2024

Production Specifications

	MINIMUM	TYPICAL	MAXIMUM	UNITS
Frequency	0.0001		8	GHz
Impedance		50		Ohms
VSWR RFin		<2.0:1		
VSWR RFC		<2.0:1		
Isolation		>30		dB
Input Power			20	dBm
Rise/Fall Times (10%/90%)		100		ns
DB15 on/off		230		ns
UART on/off		20		us
USB on/off		20		ms
ESD (HBM)	1000			V
VIN RF1 - RF 4	-16		16	V
VIN, RFC	-0.2		0.2	V
Operating Temperature	• Standard -40°F to 185°F (-40°C to +85°C)			
Size and Weight	• 6.67" x 4.17" x 1.37" (169mm x 106mm x 35mm) • 1.3 lbs. (0.58 kg)			
Power Consumption	• < 0.2W			
Connectivity	<ul style="list-style-type: none"> • Signal Hound Direct Connect to BB60D, BB60C, SP145, or SM200 Series • Control over DB15, UART, or USB • Powered over USB 2.0 or DB15 			

RFS8 Architecture



Signal Hound Direct Connect: RFS8 to BB60D

